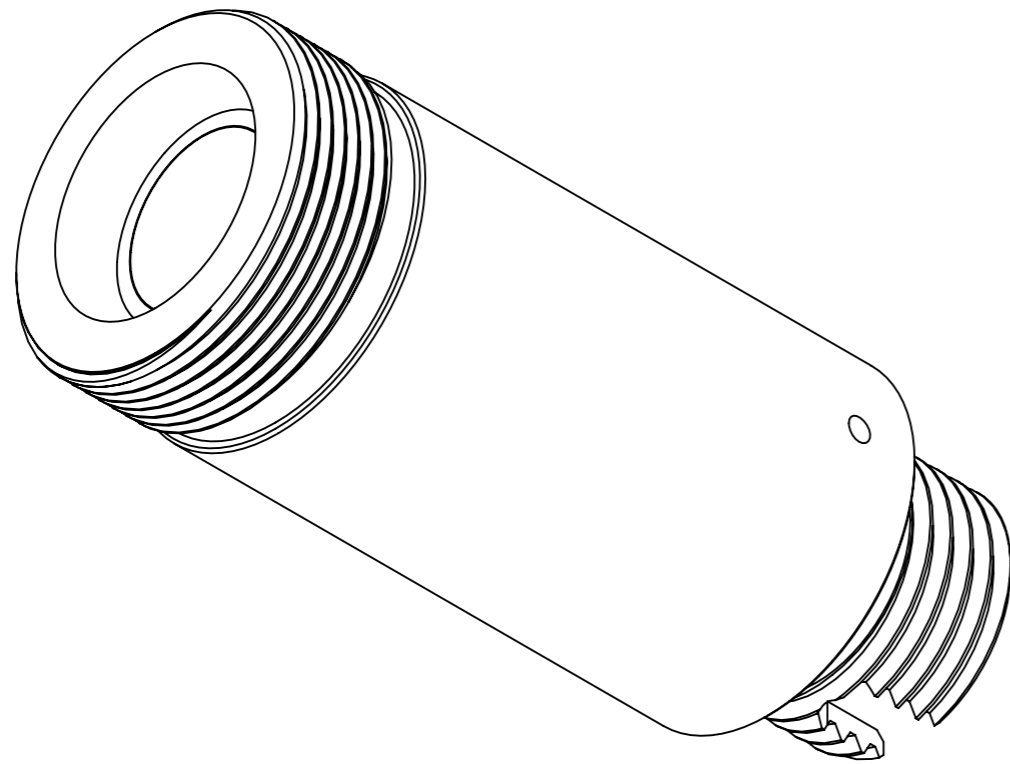
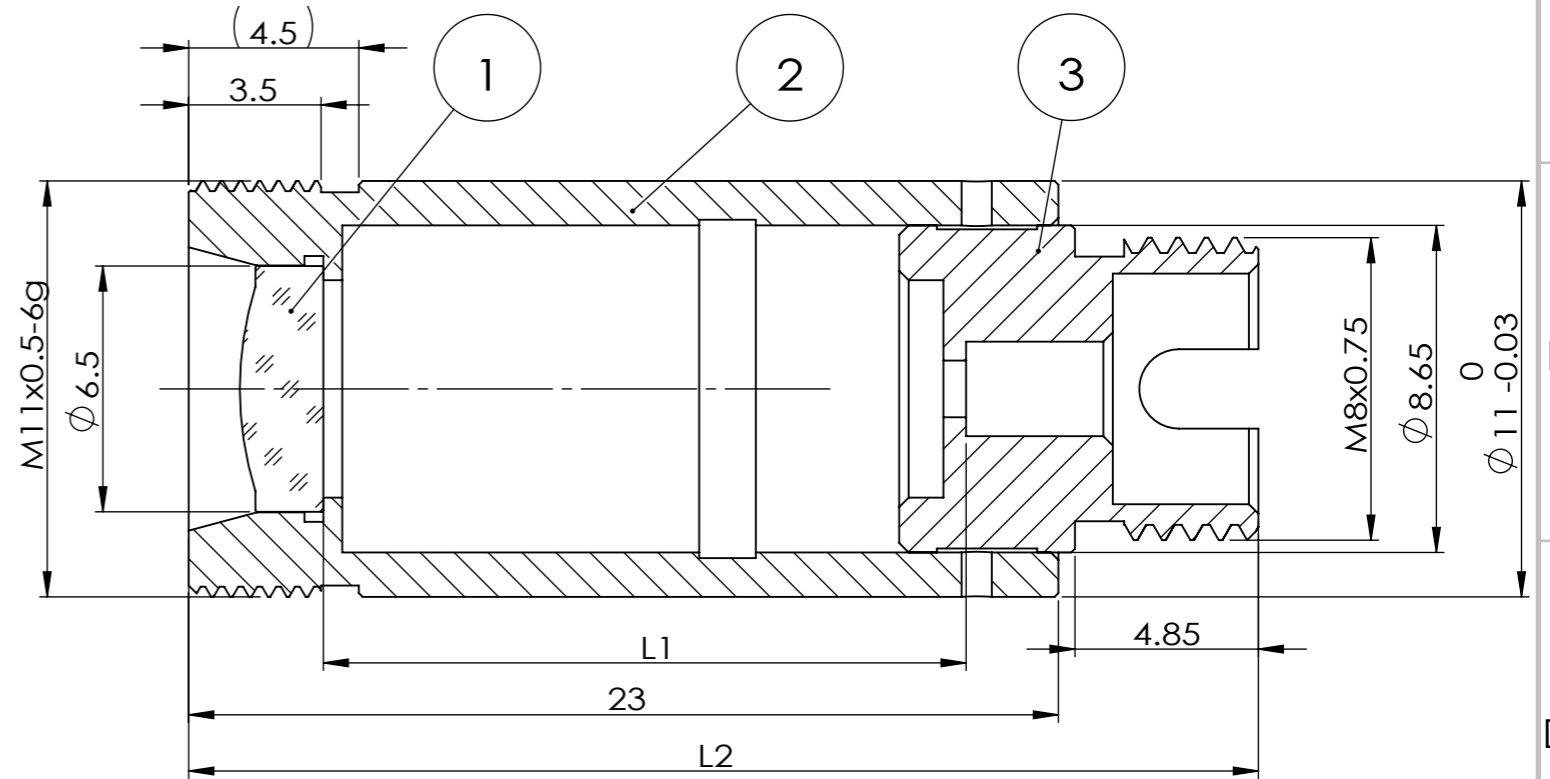


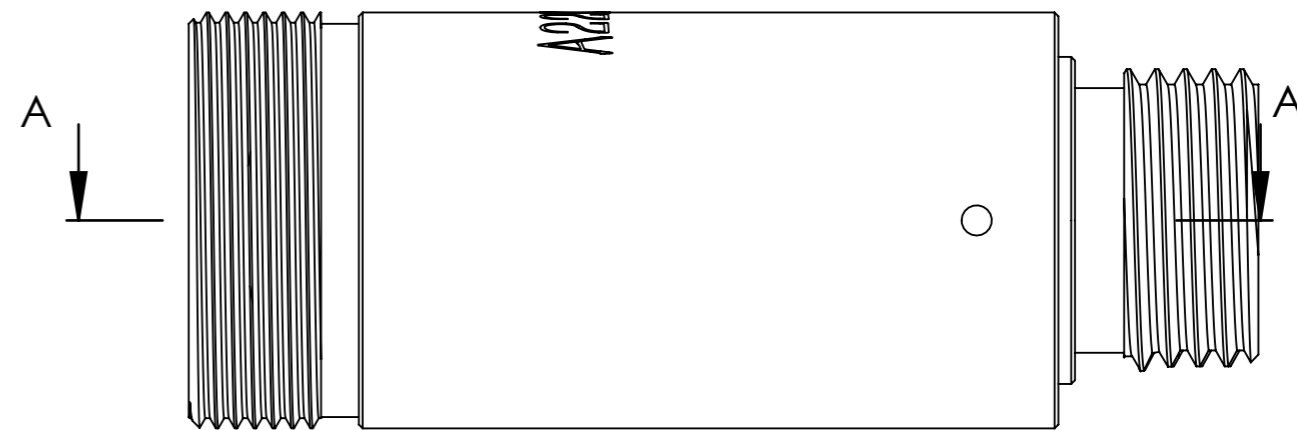
ITEM	Material	DESCRIPTION	
1	LDA820	D-ZK3M	MOLDED ASPHERE
2	3420013	SUS 304L	HOUSING
3	3420002	SUS 304L	FC/PC CONNECTORS


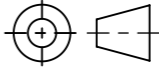


PART NUMBER	λ	ALIGNMENT FIBER	L1 (mm)	L2 ± 0.25 (mm)
FDA82020405	405nm	C405	16.34	27.63
FDA82020532	532nm	460HP	16.72	28.01
FDA82020633	633nm	SM600	16.88	28.17
FDA82020780	780nm	780HP	17.02	28.31
FDA82021064	1064nm	HI 1060	17.18	28.47
FDA82021310	1310nm	SMF-28e	17.30	28.59
FDA82021550	1550nm	SMF-28e	17.40	28.69



SECTION A-A



DO NOT SCALE DRAWING.		 GH Optics (Jiangsu) Co., Ltd. www.ghoptics.cn Add: No.298 Daijiamen Road, Zhenjiang, Jiangsu, China 212000
DRAWING PROJECTION. 		
NAME	DATE	TITLE: Connectorized Collimators with FC/PC
DRAWN		DWG NO. FDA82020405
CHK'D		UNIT: mm SIZE: A3 SHEET 1 OF 1 REV. A
APPV'D		